

Cable SP1

Note: Use Heat shrink sleeve on both sides to all cables.
Cable Length is without connector.
Color code given is recommended color code.
Twist the cables.

FP - Front Plate, BP - Back Plate, PS - Power Supply, DC – Data Cable
SP – Side Plate

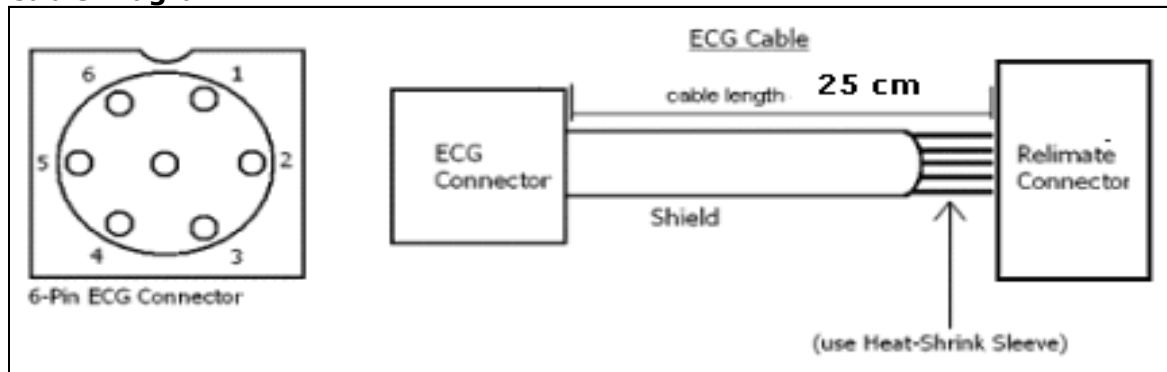
Cable: SP1-ECG cable

Length: 25 cm

Specification of Connector 1: 6 pin ECG connector on side plate

Specification of Connector 2: 6-Pin Relimate [F] Connector 2.54mm SHS J2
on 2K12032 or 2k12032

Cable Diagram:



Connection details:

Connector 1	5 Core Shielded wire	Connector 2
1	Shield	6
2	Black	5
3	Blue	1
4	Green	4
5	Yellow	2
6	Red	3